

Soft Flat

Retractable Roof System



Melbourne
Awnings

www.melbourneawnings.com.au



Soft Flat

Soft rafter profiles (120mmx60mm) have been designed with unique Water Guard side channels and allow for projections up to 6000 millimeters per system.

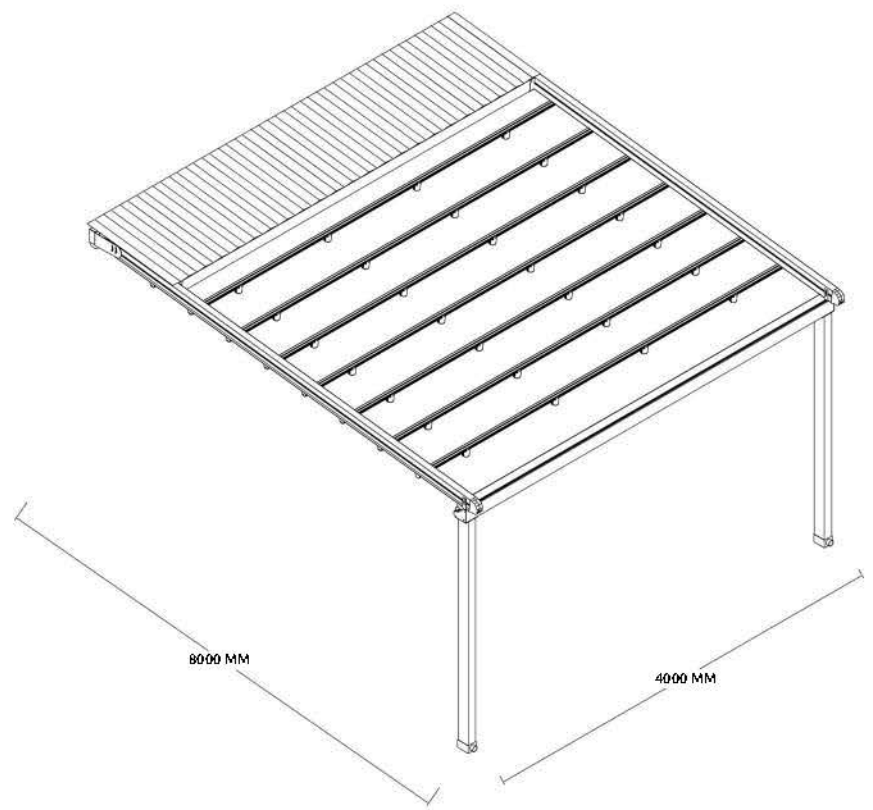
Widths are customised according to site requirements and available in any size up to 12000 millimeters.

Soft system offers up to 72 sqm of protection at the touch of a button but when required linking multiple systems is also possible and made easy by our patented Storm Channel joining system that ensures 100% waterproof join every time

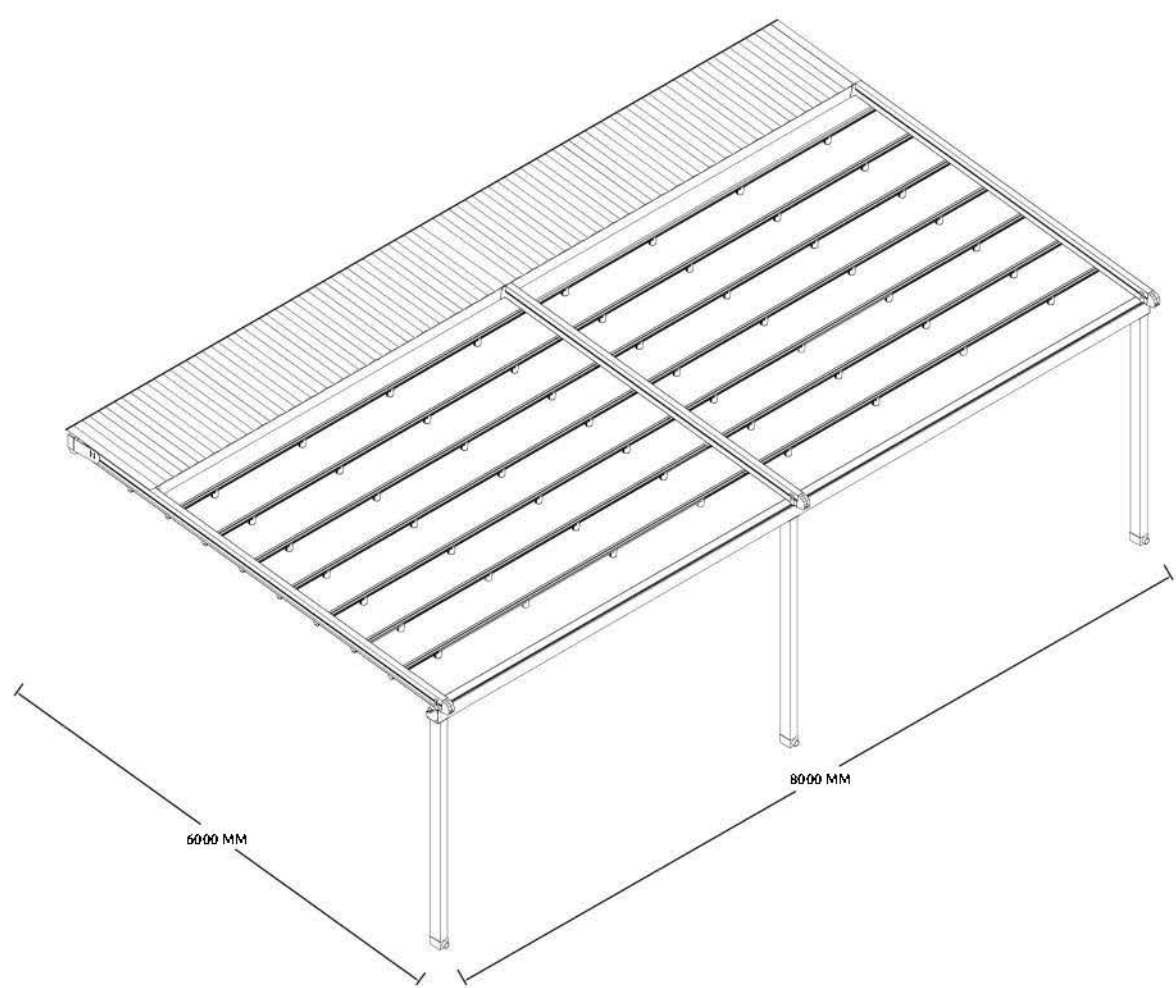
maximum width: 12000 mm

maximum extension: 6000 mm

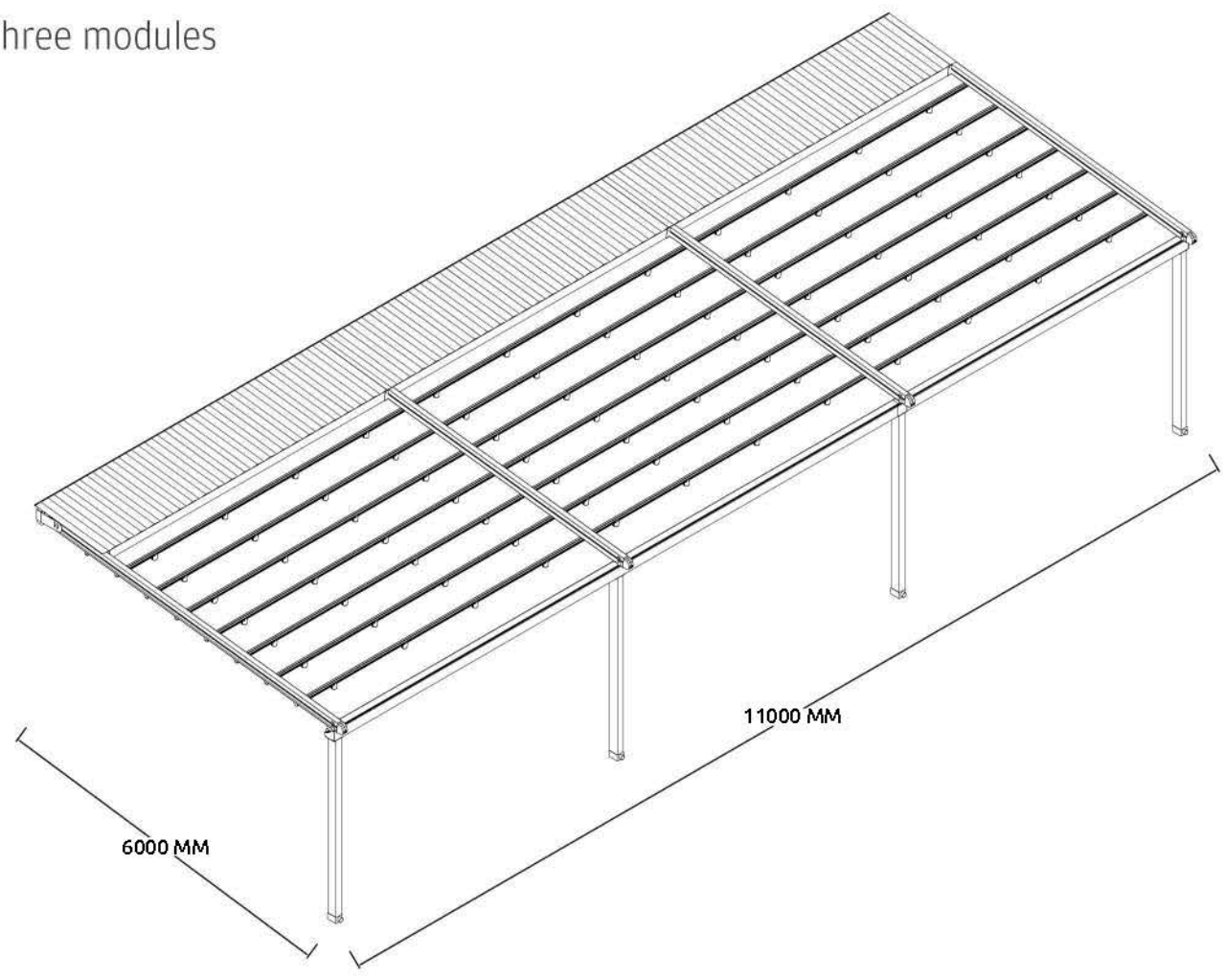
One module



Two modules

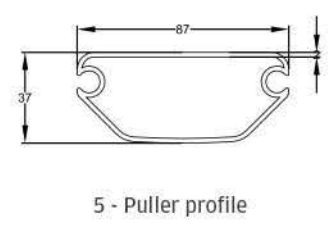
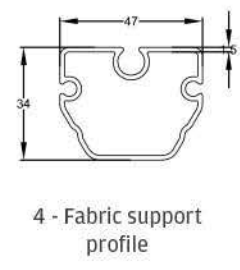
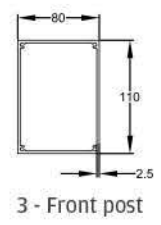
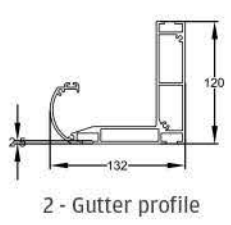
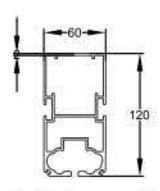


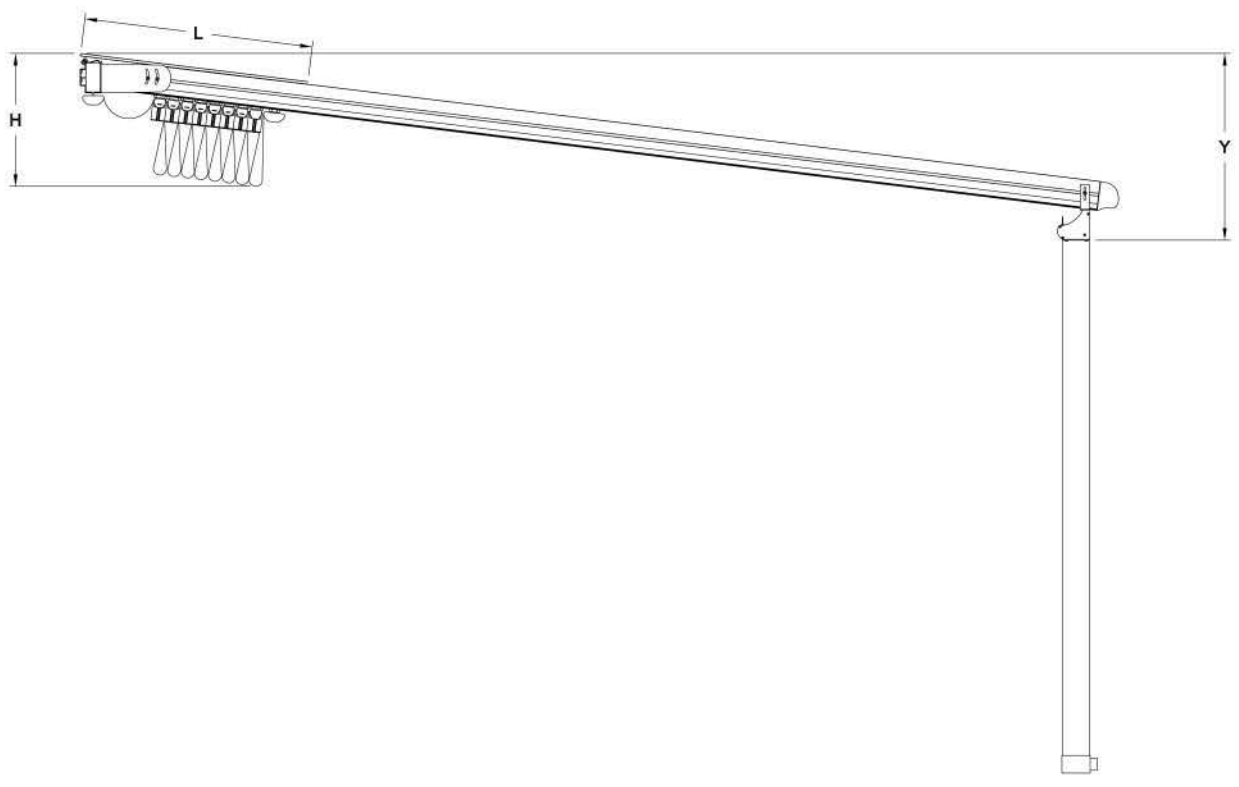
Three modules



***Maximum width of 3000 mm between rafters applies in snowy locations

Technical Details

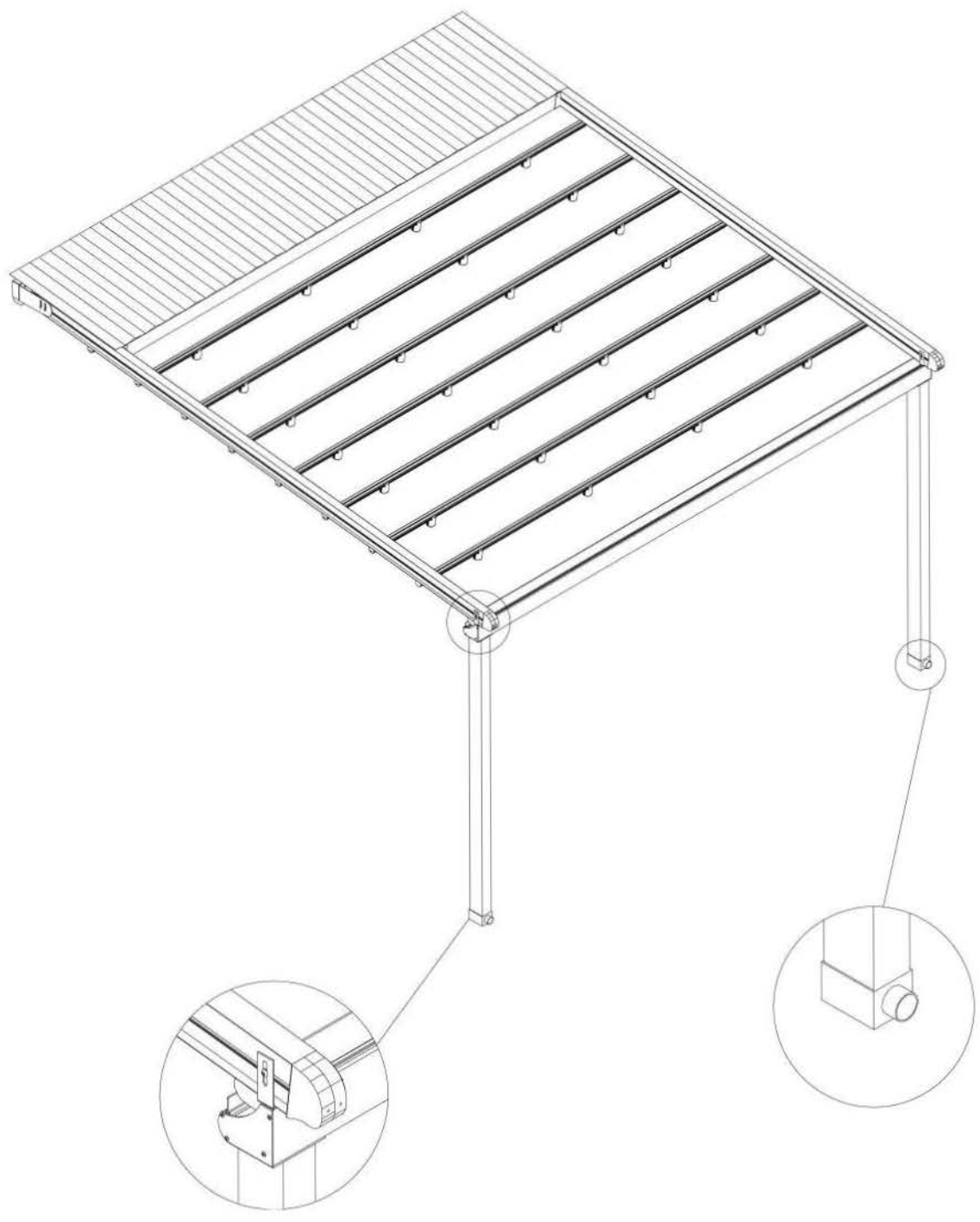


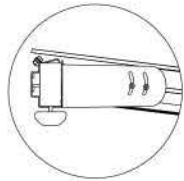
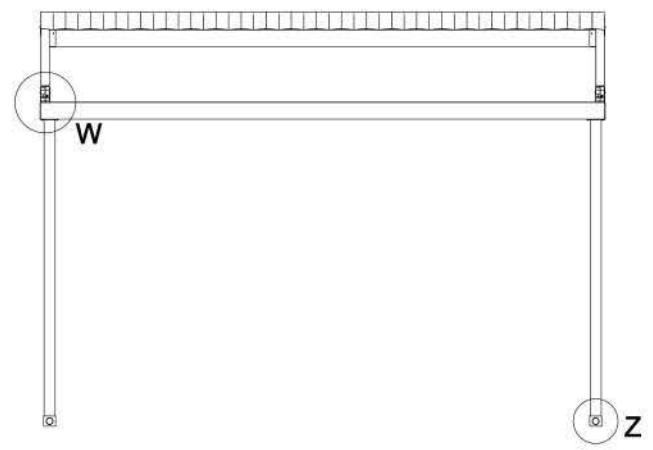
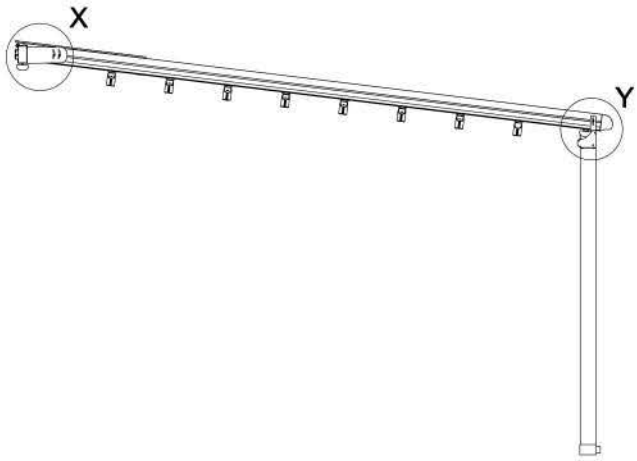


Dimension	Fabric Height	Hood	Fall	Fab.Sup.Profiles
cm	(H) cm	(L) cm	(Y) cm	pc
300	44,3	62	61,9	7
350	45	68	68	8
400	45,8	74	74,2	9
450	46,5	80	80,3	10
500	47,2	86	86,5	11
550	47,9	92	92,6	12
600	48,7	98	98,8	13

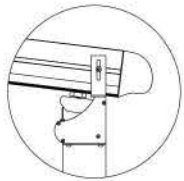
Fabric distances between profiles ar 50 cm

Technical Details

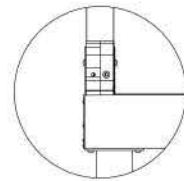




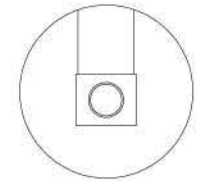
Detail X



Detail Y

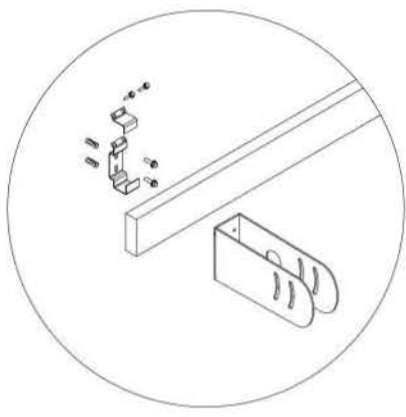


Detail W

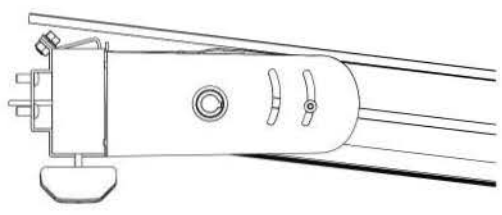


Detail Z

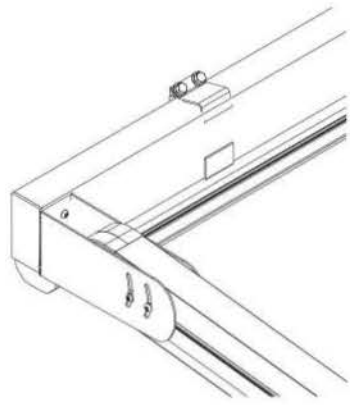
Technical Details



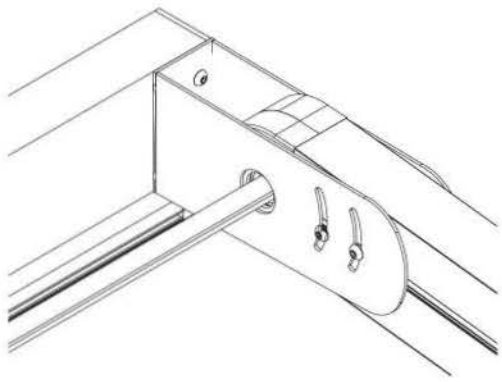
Rafter wall bracket - 1
(Cross section)



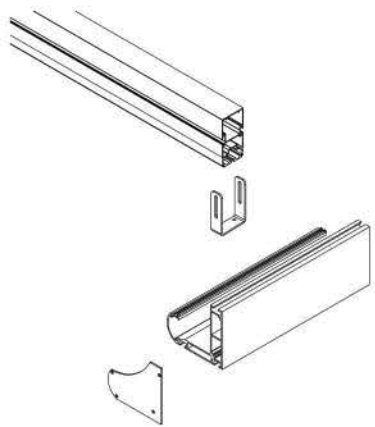
Rafter wall bracket - 2
(Side view)



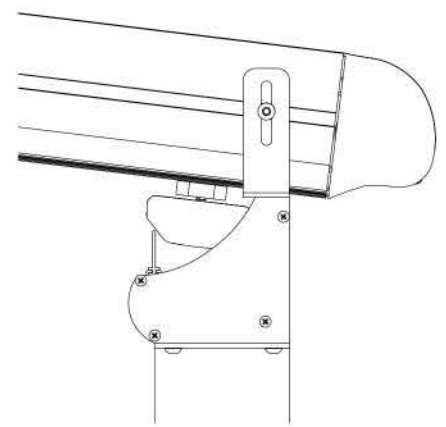
Rafter wall Bracket - 3
(External view)



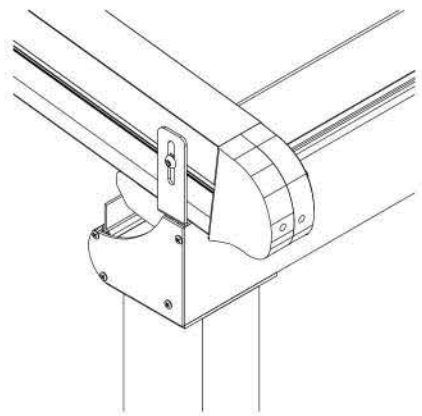
Rafter wall bracket - 4
(External view)



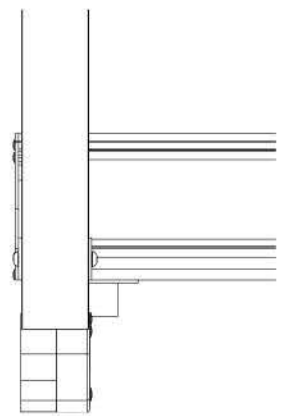
Front joining part - 1
(Cross section)



Front joining part - 2
(Side section)

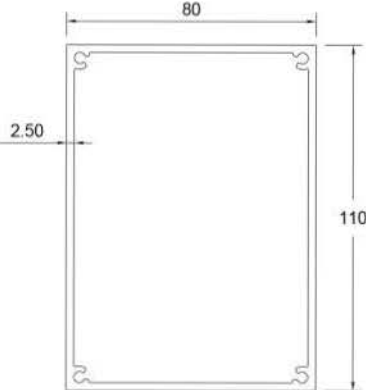


Front joining part - 3
(External View)

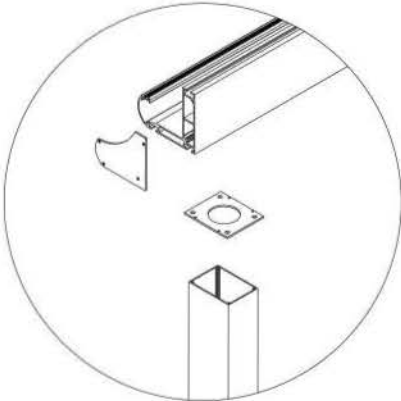


Front joining part - 4
(Top view)

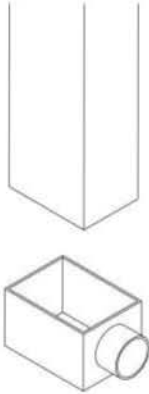
Technical Details



Front post



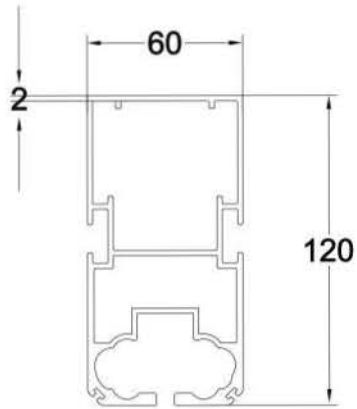
Gutter profile and front post joining details



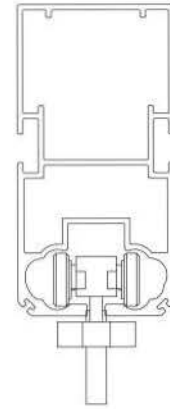
Water drainage and front post joining details



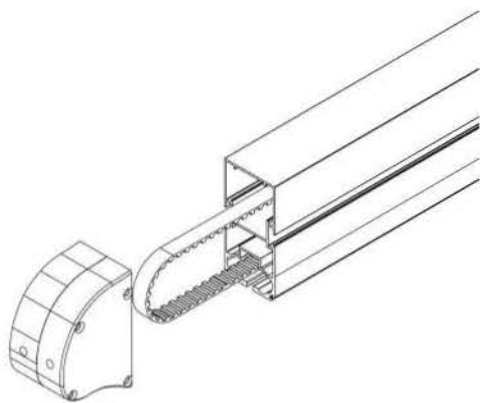
Water drainage details



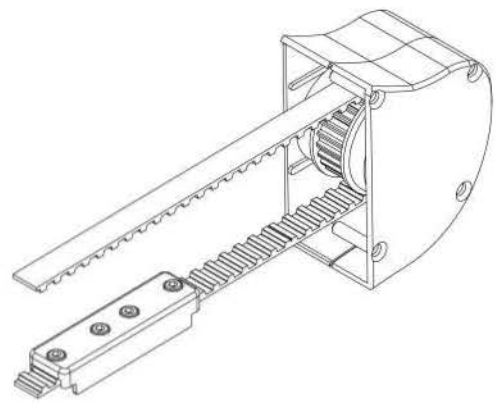
Rafter profile detail - 1



Rafter profile detail - 2

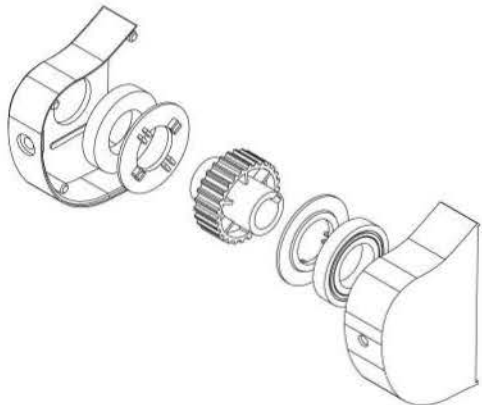


Rafter profile cap detail - 1

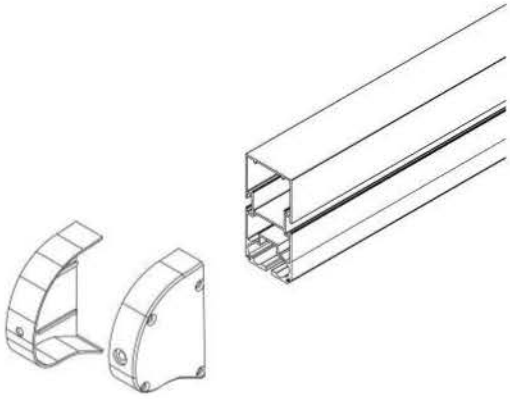


Rafter profile cap detail - 2

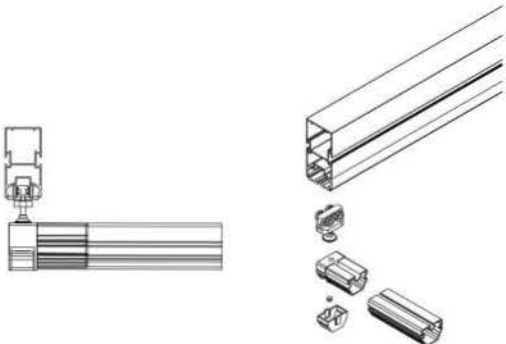
Technical Details



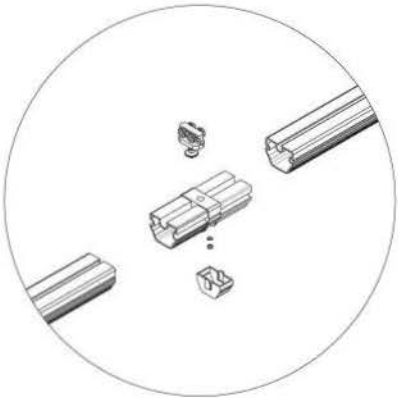
Rafter front cap details - 3



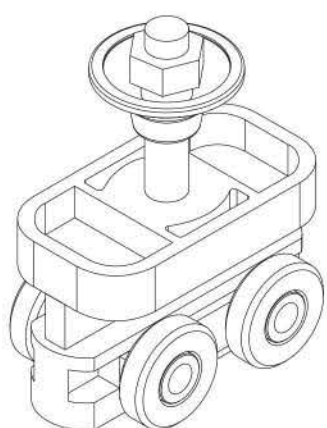
Rafter front cap details - 4



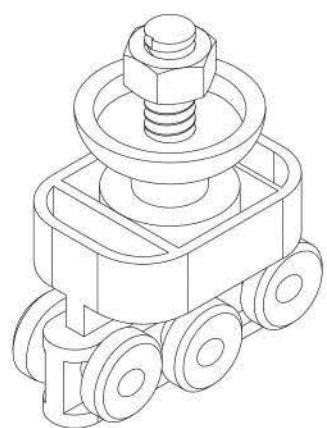
Support profile joining details



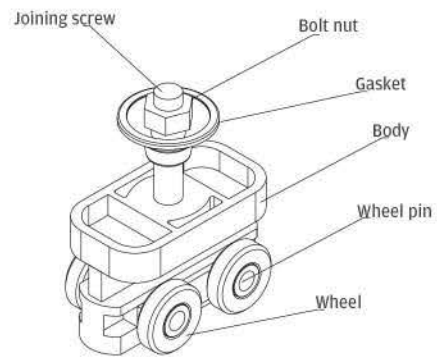
Support profile joining plastic



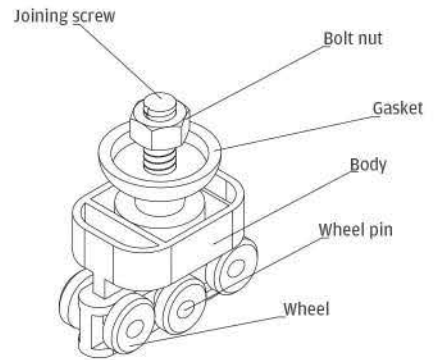
Puller wheel slider



Conveyor wheel slider

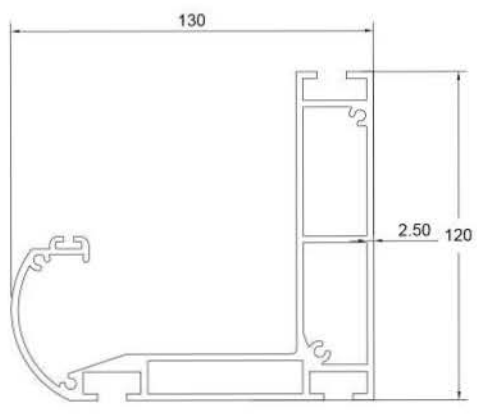


Puller wheel slider detail

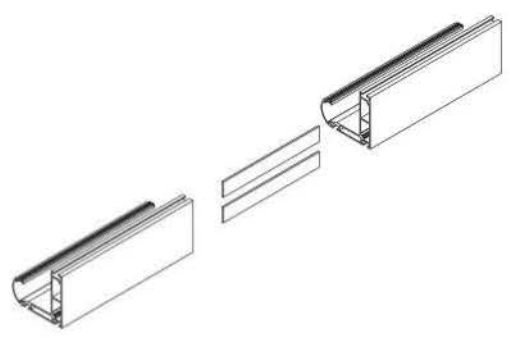


Conveyor wheel slider detail

Technical Details



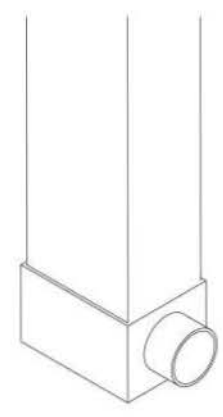
Gutter profile



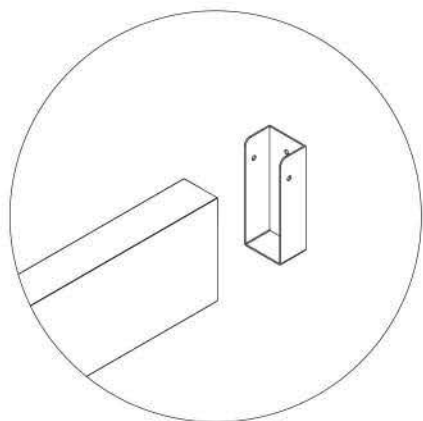
Gutter profile joining details



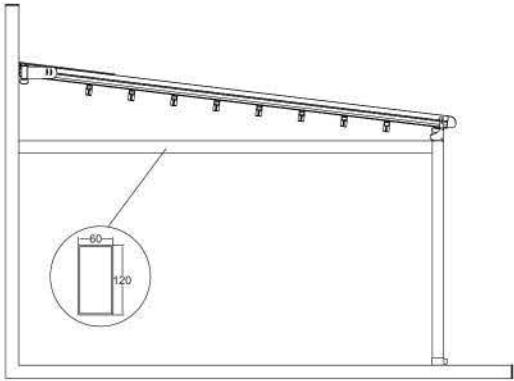
Water drainage details



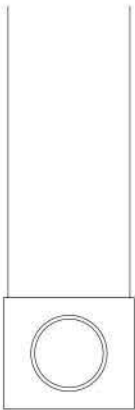
Water drainage details



Roof joining part

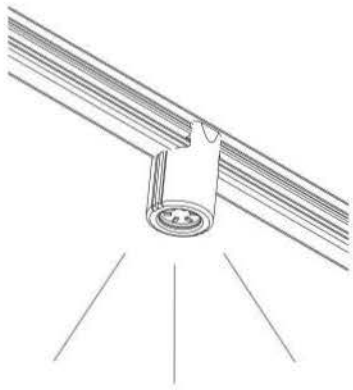


Side rafter



Water drainage

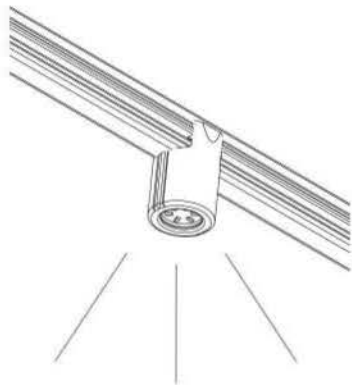
Technical Details



Spot leds
(Type - 1)



Spot leds
(Type - 1)

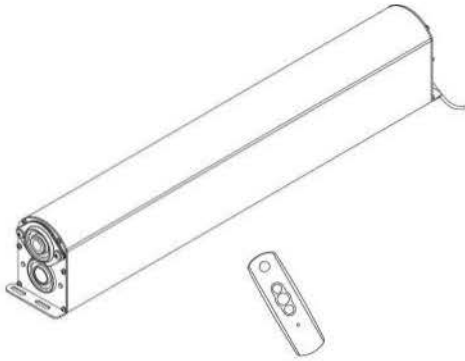


Dimmer remote
control

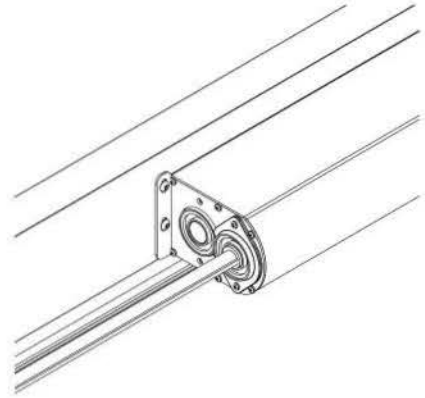
Spot leds
(Type - 2)



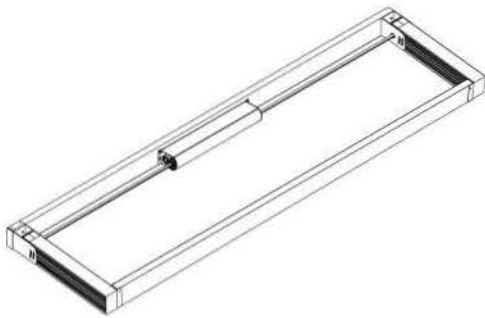
Spot leds
(Type - 2)



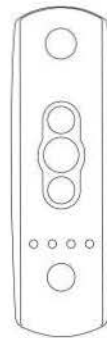
Motor box



Motor joining detail

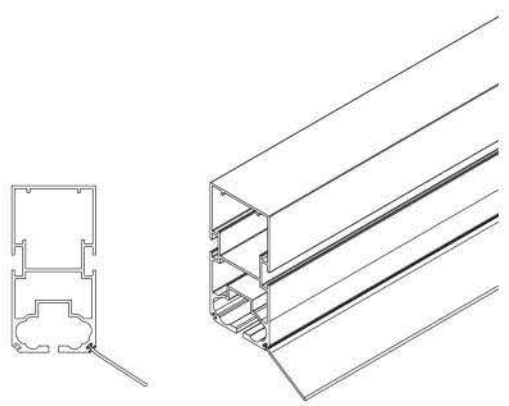


Motor joining detail

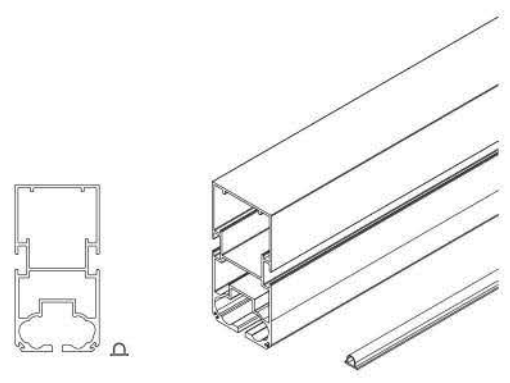


Somfy remote control

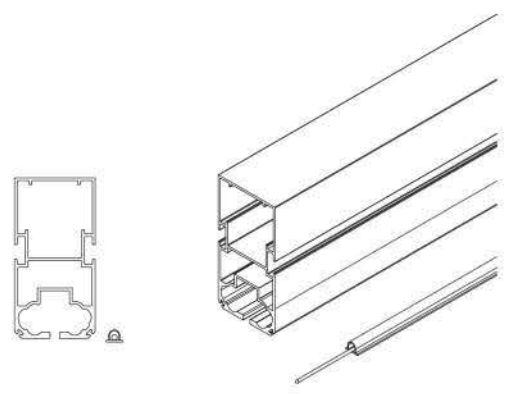
Technical Details



Rafter stormguard edge seal



Anti - drop



Fabric anti - drop with electrical cable

