

Melbourne

Awnings

Auto Sunblind

PRODUCT

132 Gardenvale Road,
Gardenvale, Victoria 3185

☎ **1300 342 232**

made to measure



Good old **Automatic Lock-Arm pull-down** sunblind has been used over half of the century in Australia in protecting our homes and businesses from the scorching sun. It is the basic pull-down awning running on side guides.

A long lasting and most economical external blind strong and durable in wind and rain fitted with the arms that lock in an position so you can adjust the amount of light and sun required.



Various fabric types have been used on Auto Sunblinds in the past.

Traditional canvas is the best to block the light and cool and darken the bedroom.

If you decide the 95% screen mesh fabric is better for you it will block the heat and glare but allow the light into the living room or kitchen. Acrylic canvas is available in over 150 colours and patterns. We have the wide range of traditional canvas brands available to select in our showroom.

The blind rolls up into a hood available in 16 standard colours:

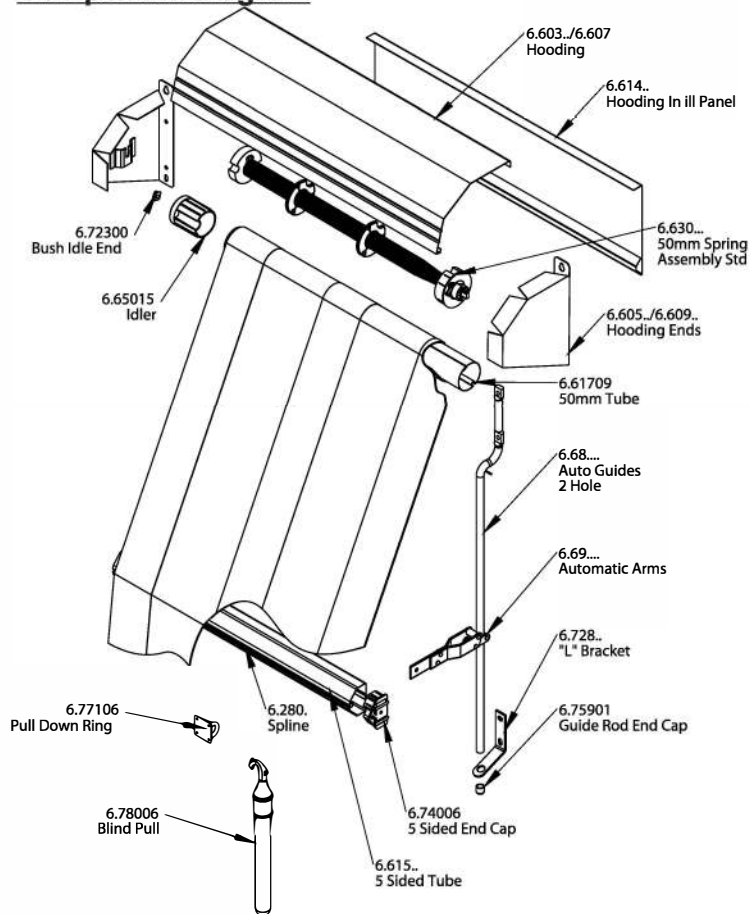
Black, Brown, Caulfield Green, Charcoal, Gull Grey, Heritage Red, Jasper, Merino, Mist Green, Mountain Blue, Slate Grey, Smooth Cream, Stone, Surfmist, Wheat and White

made to measure

Auto Sunblind

made to measure

Component diagram



The Top Roller is spring loaded allows for the blind to roll up and down to any position. Spring arms are available in 150mm, 300mm and 450mm lengths which makes it suitable for most windows that open out. The Auto lock arms are allowing the blind to lock into side guides anywhere from top to bottom. The bottom valance is available in flat-straight finish looking good on modern homes and mesh fabrics or in traditional scallops.

Bayside Awning Centre' Auto Sunblind is custom made to any size from 700mm to 4600mm wide. Side Guides are available in various sizes from 900mm to 2700mm allowing for awning drop to be in any size up to 3 metres.

Side guides and arms are available in standard Galvanised finish or Stainless Steel option upon request.

Auto Sunblind comes with a pull stick with hook and is designed for external ground floor application only. The sunblind with modified components but very similar in look is called **Fixed Guide Awning** is available cord operated or motorised and is designed for the upstairs or those hard-to-reach windows. The brochure on Fixed Guide Awning is also available for download from our web site

www.melbourneawnings.com.au

Please call or visit our showroom in Brighton on **9596 3744** to book in your obligation-free site visit and quote within Melbourne Metro, or e-mail us the photos and the measurements of your windows so we can help you to select the most suitable sunblind type.

made to measure