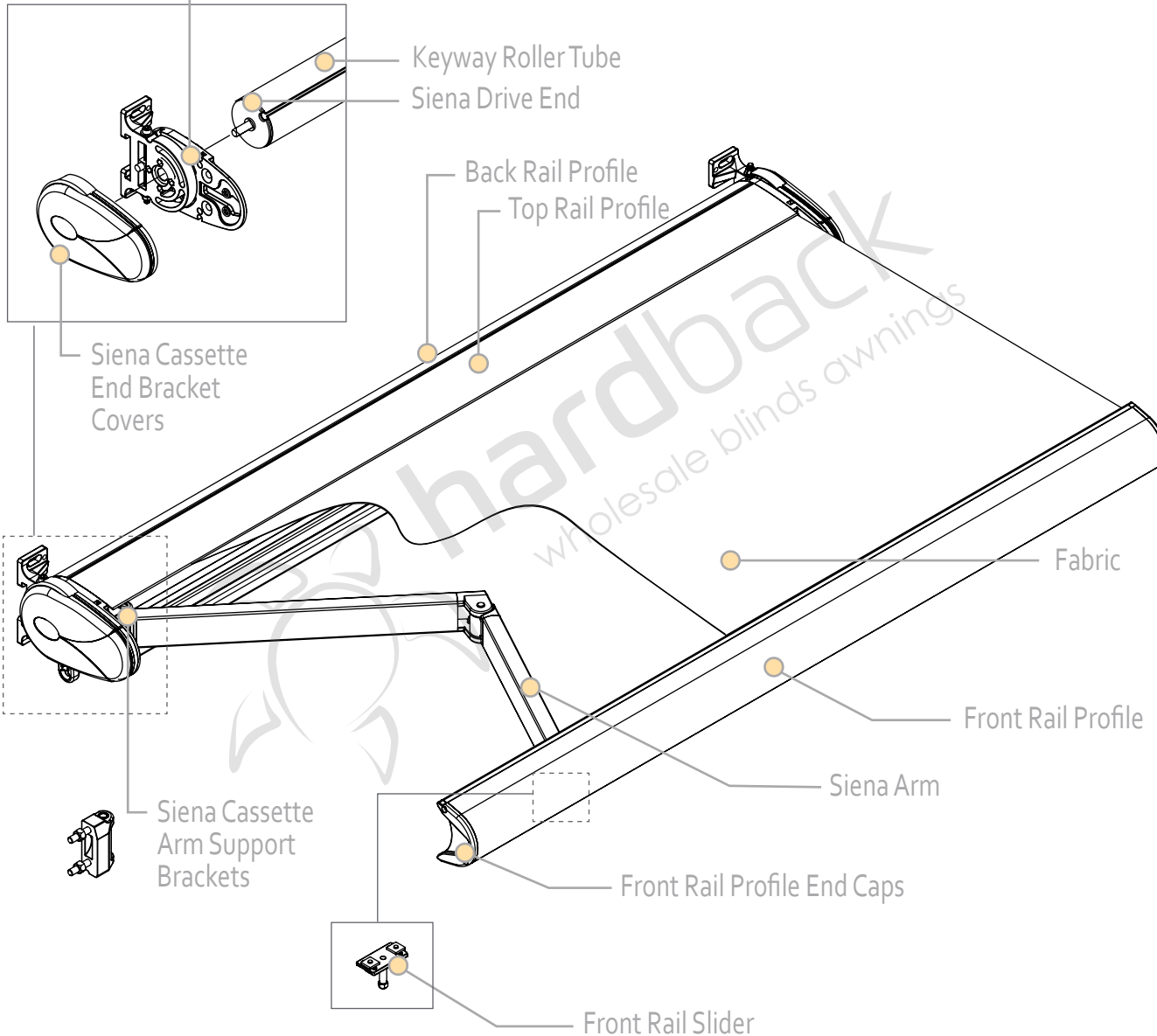


Siena Cassette FAA Specifications

May 2022

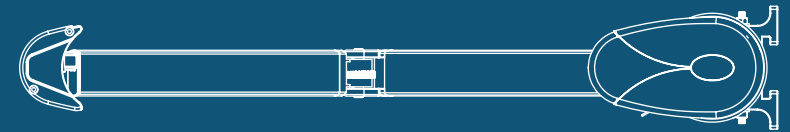
Siena Cassette End Bracket



Technical Specifications

Operating Options	Motorised Only
Sizes (up to)	4.9m x 3.5m
Application/Mounting	End to End Bracket Fit
Fitting Options	Face
Frame Material	Aluminium/Stainless Steel Hardware
Frame Standard Colours	Ivory, Onyx, Silver, White
Optional Powder Coat	Custom
Keyway Roller Tube	78mm
Standard Arm Pitch	Set by Installer
Pelmet Options	Included
Pelmet Brackets	Powder coated install brackets included
Fabric Options	Acrylic

Siena Cassette Standard Side Profile - Open



Siena Cassette Standard Side Profile - Closed

